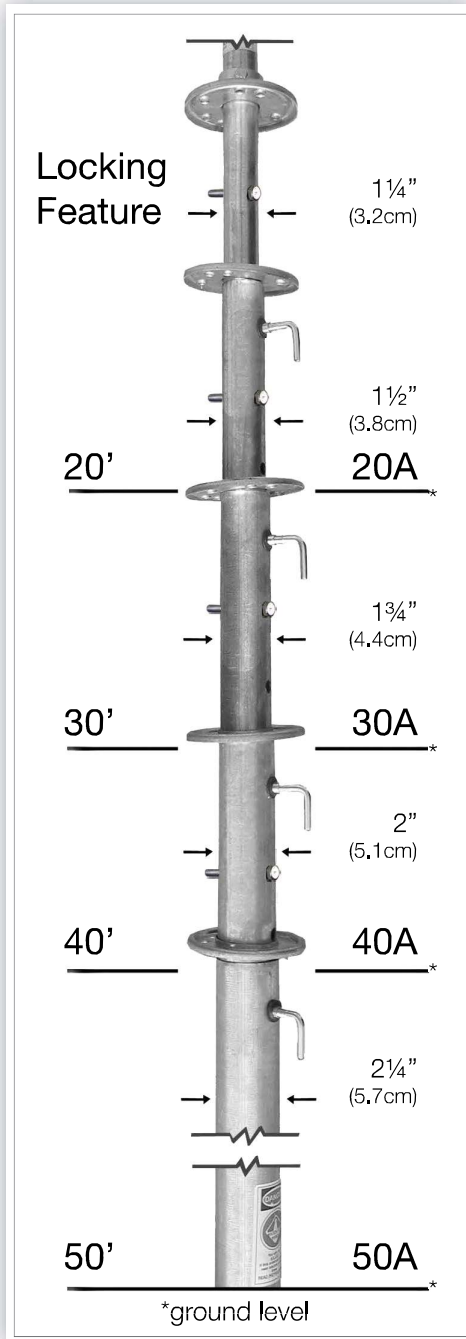


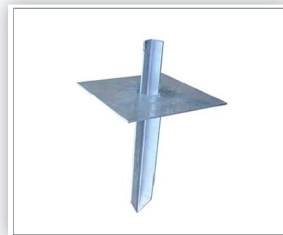
Product Features

- High strength galvanized steel tubing
- Precision flared & swaged for smooth fit
- 16 gauge top section, balance 18 gauge
- Guy Rings and Guy Collars included with 20, 30, 40 & 50 foot models
- Snap lock for easy installation
- Chafe resistant floating guy rings
- Various bases available



15' Mobile Pop-Up

- 5' sections
- Guy rings not included



BP-125
Pop-up base plate



2178
Saddle roof mount for 20A and 30A



2180
Angle base for up to 1 3/4" mast



2175
Swivel base for pop-up masts 20A and 30A



GC-125
1 1/4" (3.18cm) guy collar

GC-150
1 1/2" (3.81cm) guy collar



GR-125
1 1/4" (3.18 cm) guy ring with rounded edges

GR-150
1 1/2" (3.81 cm) guy ring with rounded edges

Rotating guy ring allows for guying in universal directions with 6 holes

Wade Antenna's ongoing policy of continuing development may result in specification changes to its products.